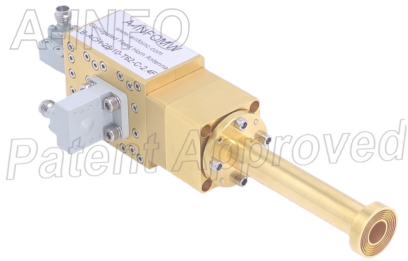


For reference only. See data sheet for the detailed specifications.

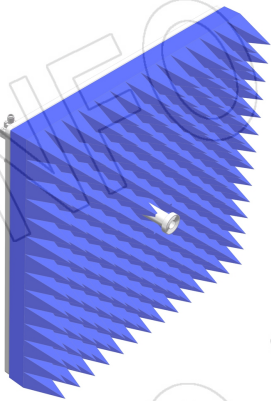
Technical Specification

LB-ACH-28-10-T62-C-2.4F



Frequency Range(GHz)	23.5 – 43.5	
Waveguide	WR28	
Gain(dBi)	10 Typ.	
Polarization	Dual Linear	
3dB Beamwidth(deg)	E Plane:	57 Typ.
	H Plane:	59 Typ.
10dB Beamwidth(deg)	E Plane:	106 Typ.
	H Plane:	110 Typ.
Cross Pol. Isolation(dB)	35 Typ.	
Port to Port Isolation(dB)	50 Typ. ; 40 Min.	
VSWR	A Type:	1.8:1 Typ.
	C Type:	1.8:1 Typ.
Output	A Type:	FBP320(UBR320)
	C Type:	2.4mm-Female or 2.92mm-Female
Material	Cu	
Finish	Gold Plated, Gray Paint	
Size(mm)	A Type:	28.6 x 38.1 x 147.7
	C Type:	52.6 x 38.1 x 171.7
	A-A1:	259 x 259 x185.8
	C-2.4F-A1:	259 x 259 x240
Net Weight(Kg)	A Type:	0.26 Around
	C Type:	0.33 Around
	A-A1:	2.56 Around
	C-2.4F-A1:	2.63 Around

LB-ACH-28-10-T62-C-2.4F-A1



PATENT ID (US)

US D963575

AINFO Inc.

China(Beijing):
China(Chengdu):
USA :

Tel: (+86) 10-6266-7326,
Tel: (+86) 28-8519-2786,
Tel: (+1) 949-639-9688,

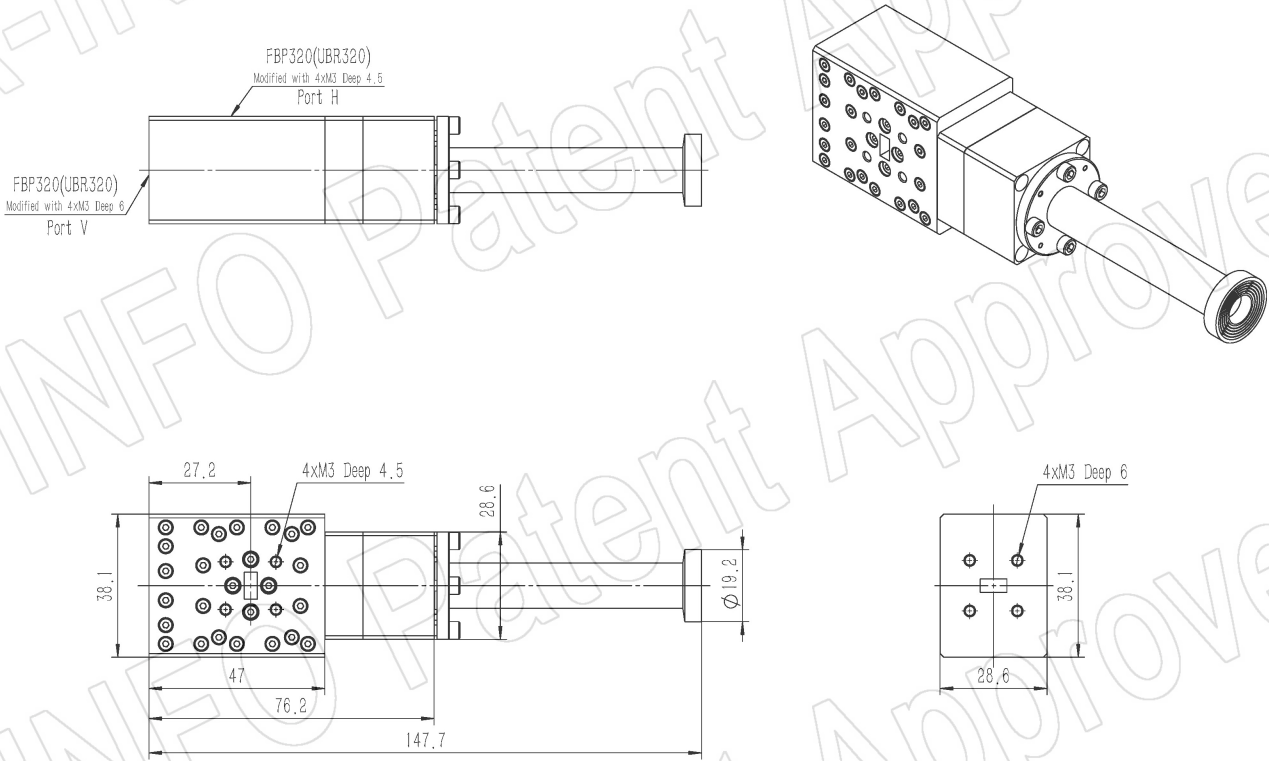
(+86) 10-6266-7327
(+86) 28-8519-3044
(+1) 949-639-9608

Fax: (+86) 10-6266-7379
Fax: (+86) 28-8519-3068
Fax: (+1) 949-639-9670

Website: www.ainfoinc.com
Email: sales@ainfoinc.com

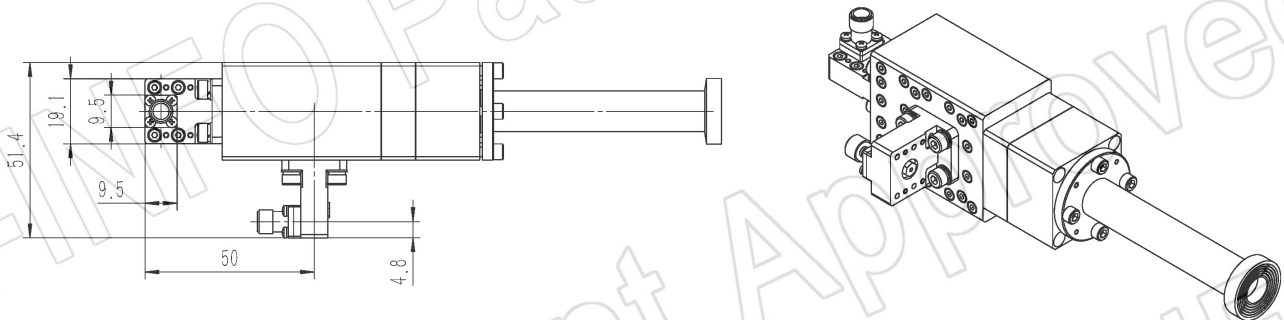
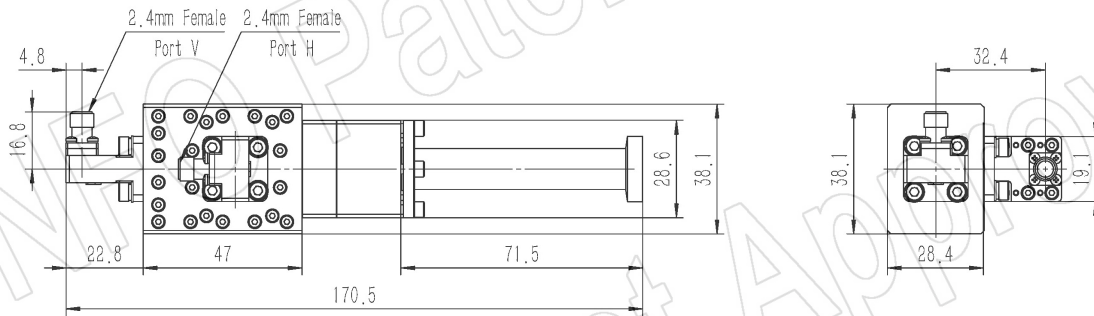
Outline Drawing (Size: mm)

FBP320 Output (P/N: LB-ACH-28-10-T62-A)



2.4mm-Female Output (P/N: LB-ACH-28-10-T62-C-2.4F)

For 2.92mm-Female output outline drawing, please contact A-INFO.



AINFO Inc.

China(Beijing):
China(Chengdu):
USA :

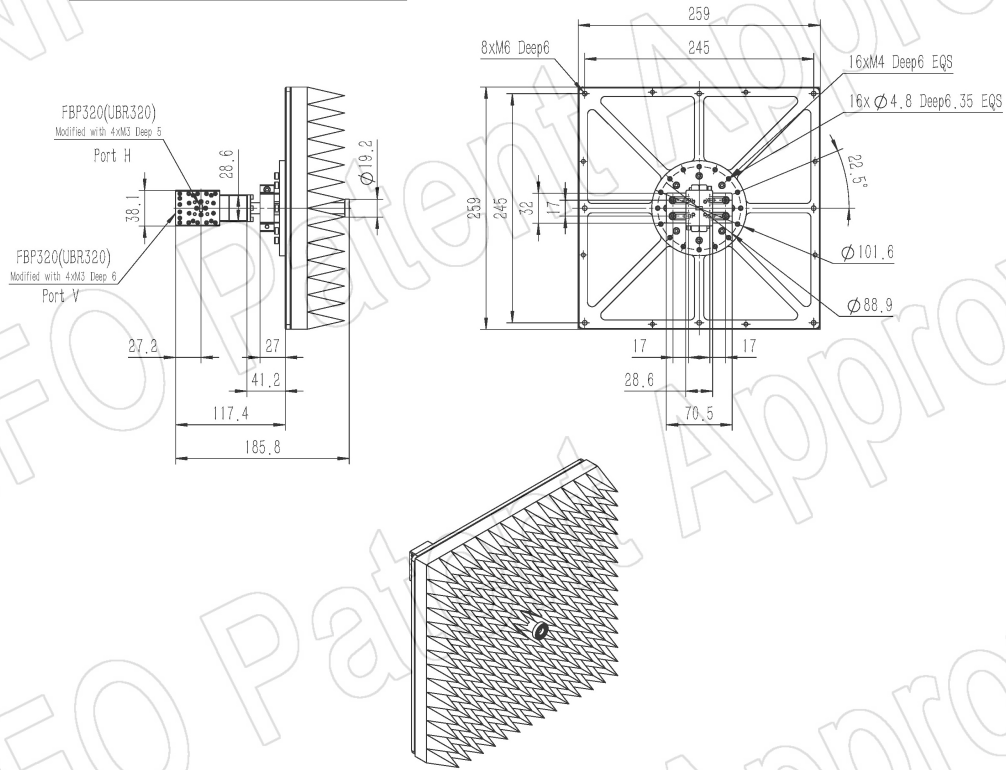
Tel: (+86) 10-6266-7326,
Tel: (+86) 28-8519-2786,
Tel: (+1) 949-639-9688,

(+86) 10-6266-7327
(+86) 28-8519-3044
(+1) 949-639-9608

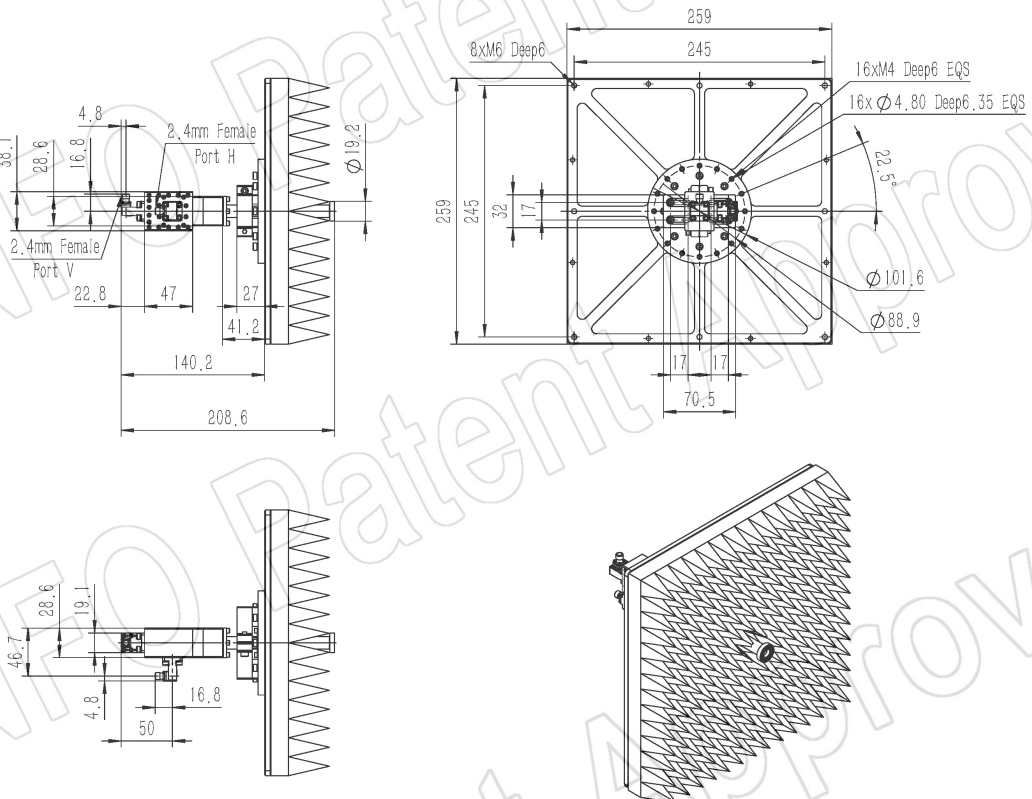
Fax: (+86) 10-6266-7379
Fax: (+86) 28-8519-3068
Fax: (+1) 949-639-9670

Website: www.ainfoinc.com
Email: sales@ainfoinc.com

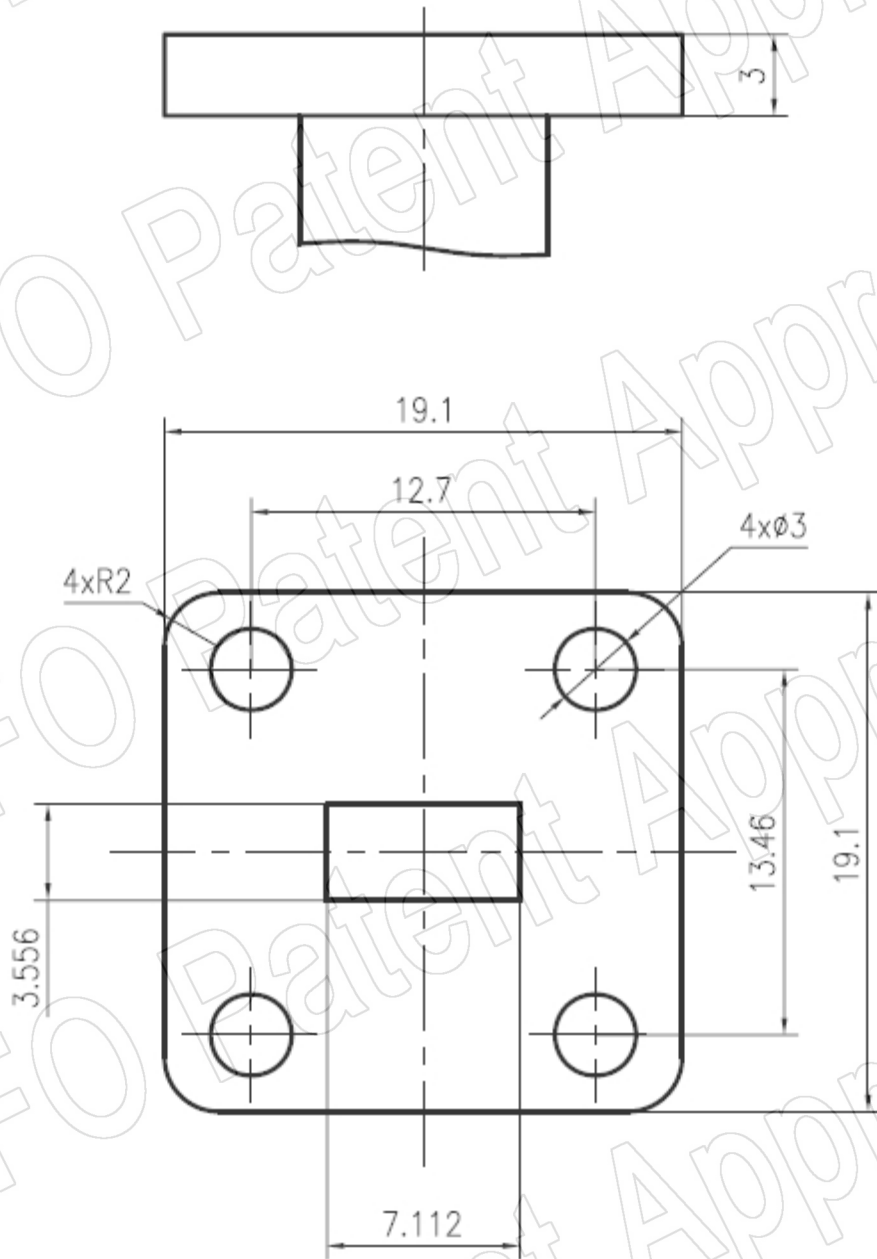
FBP320 Output, Equipped with Absorber(Option, P/N: LB-ACH-28-10-T62-A-A1)



2.4mm-Female Output, Equipped with Absorber (Option, P/N: LB-ACH-28-10-T62-C-2.4F-A1)
 For 2.92mm-Female output outline drawing, please contact A-INFO.



Flange Drawing (Size: mm)



FBP320

AINFO Inc.

China(Beijing):
China(Chengdu):
USA :

Tel: (+86) 10-6266-7326,
Tel: (+86) 28-8519-2786,
Tel: (+1) 949-639-9688,

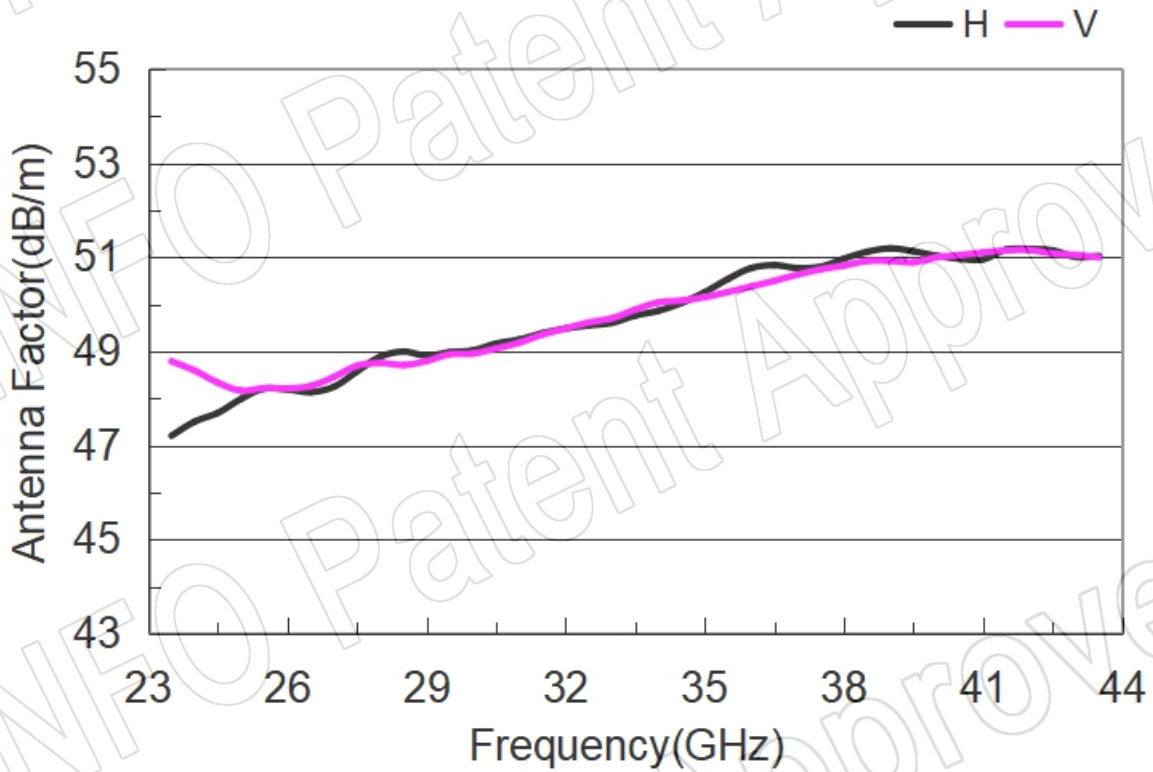
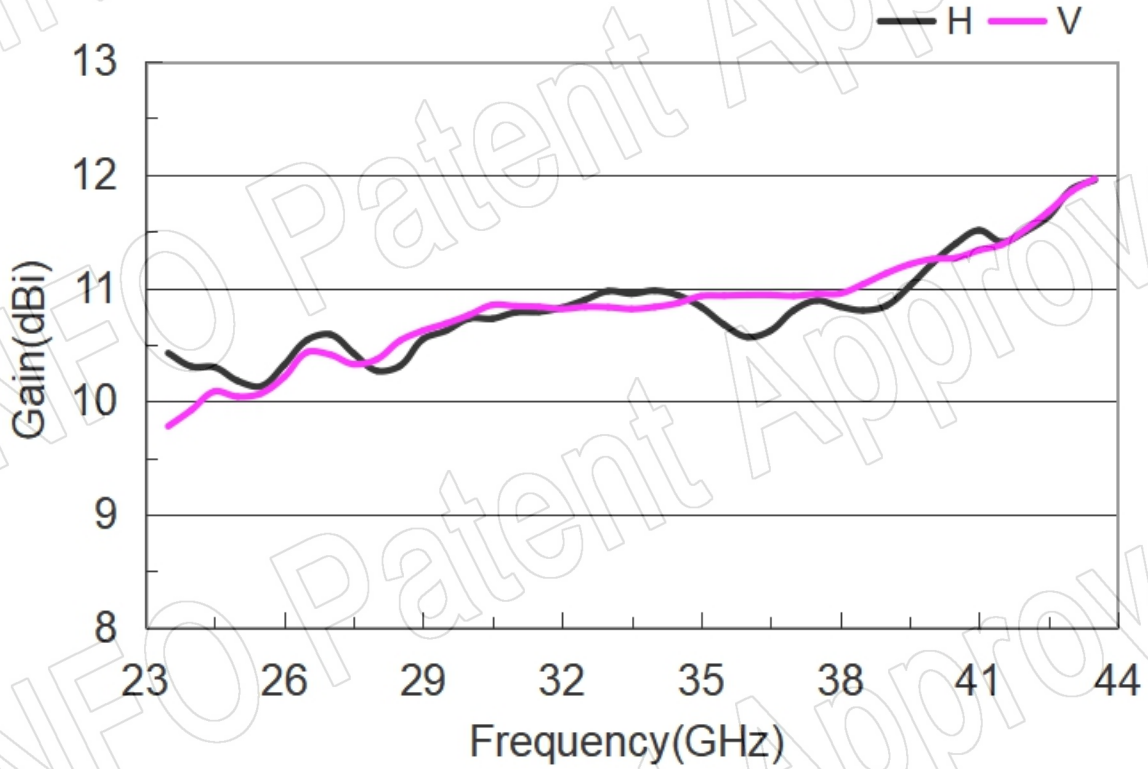
(+86) 10-6266-7327
(+86) 28-8519-3044
(+1) 949-639-9608

Fax: (+86) 10-6266-7379
Fax: (+86) 28-8519-3068
Fax: (+1) 949-639-9670

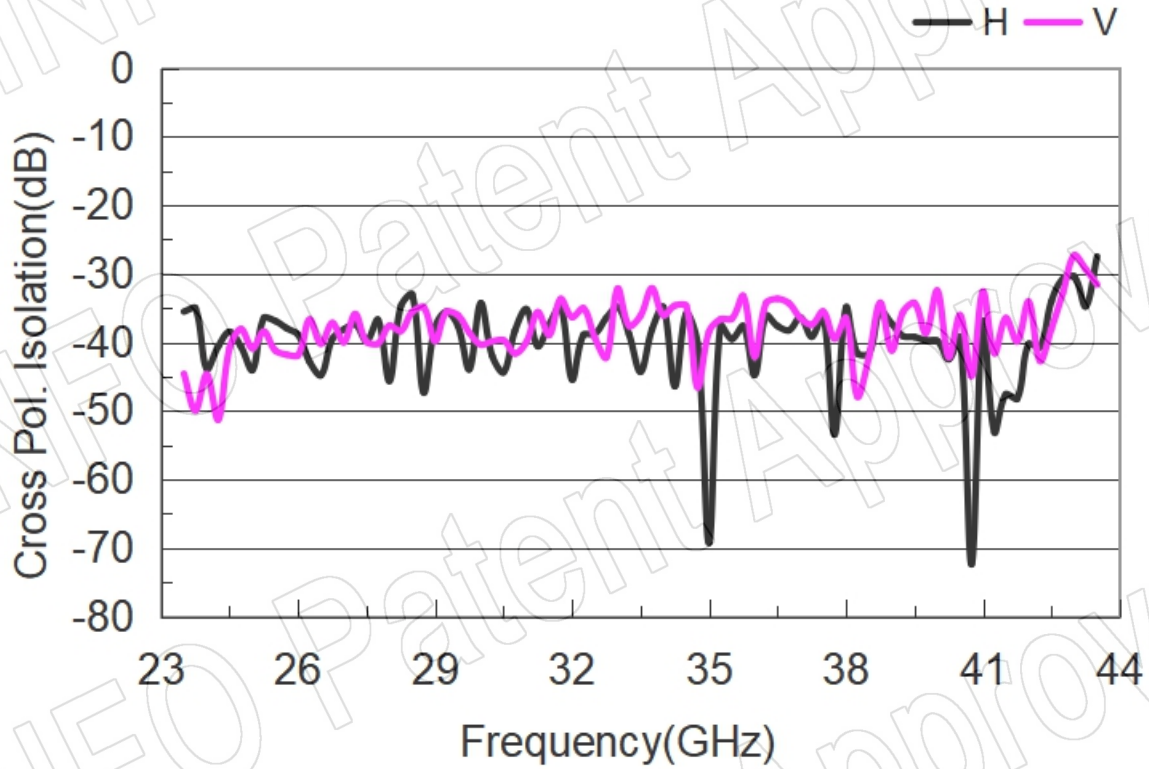
Website: www.ainfoinc.com
Email: sales@ainfoinc.com

Test Results

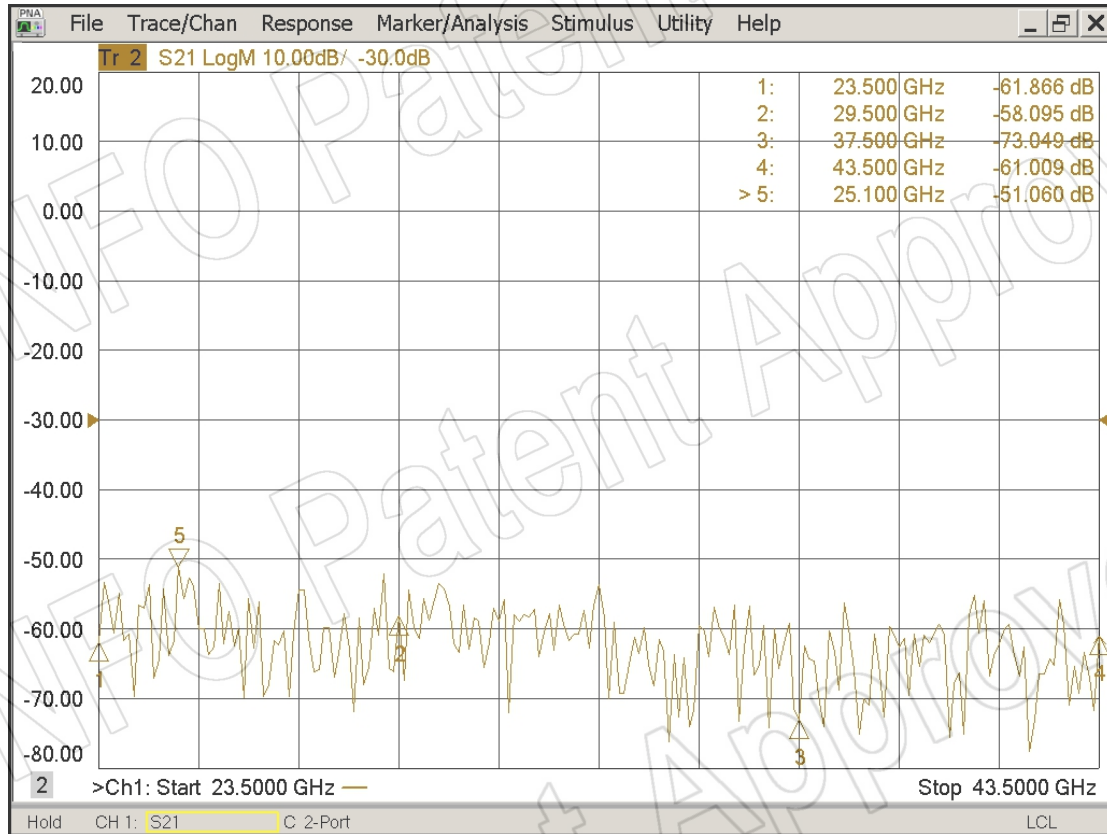
1. Gain & Antenna Factor



2. Cross Polarization Isolation

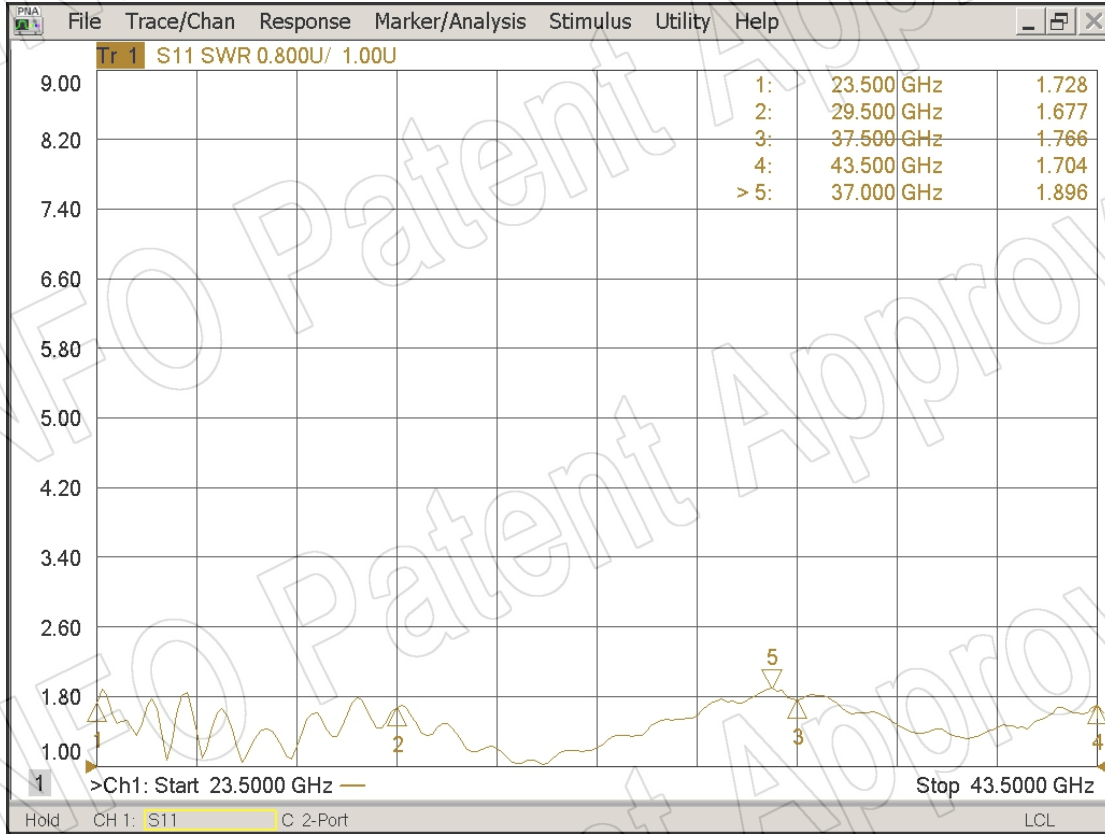


3. Port to Port Isolation

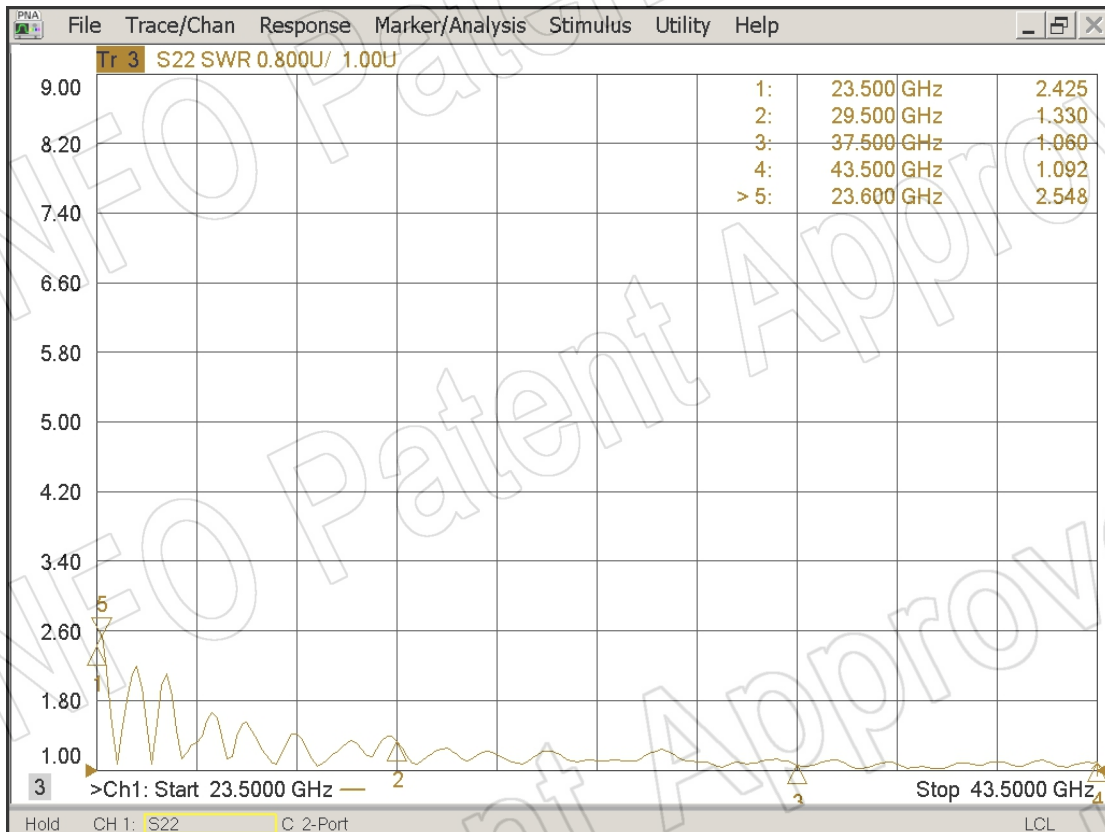


4. VSWR_A Type

Port-H

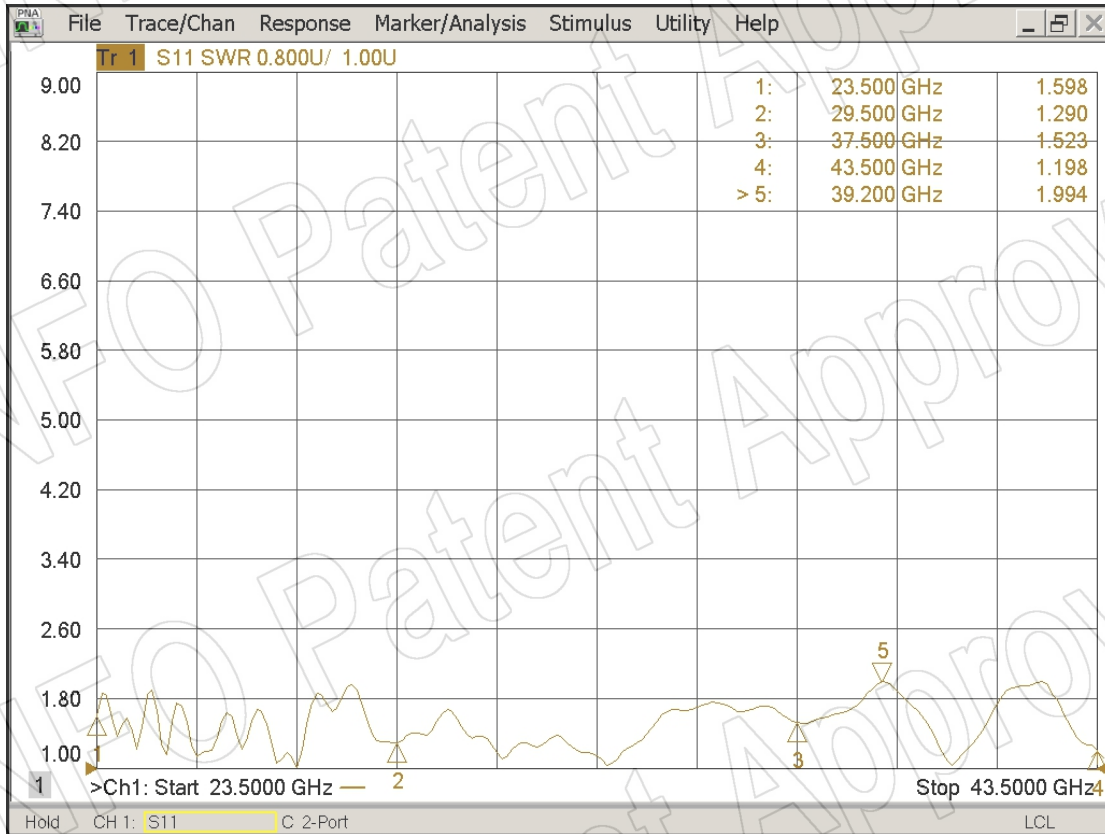


Port-V

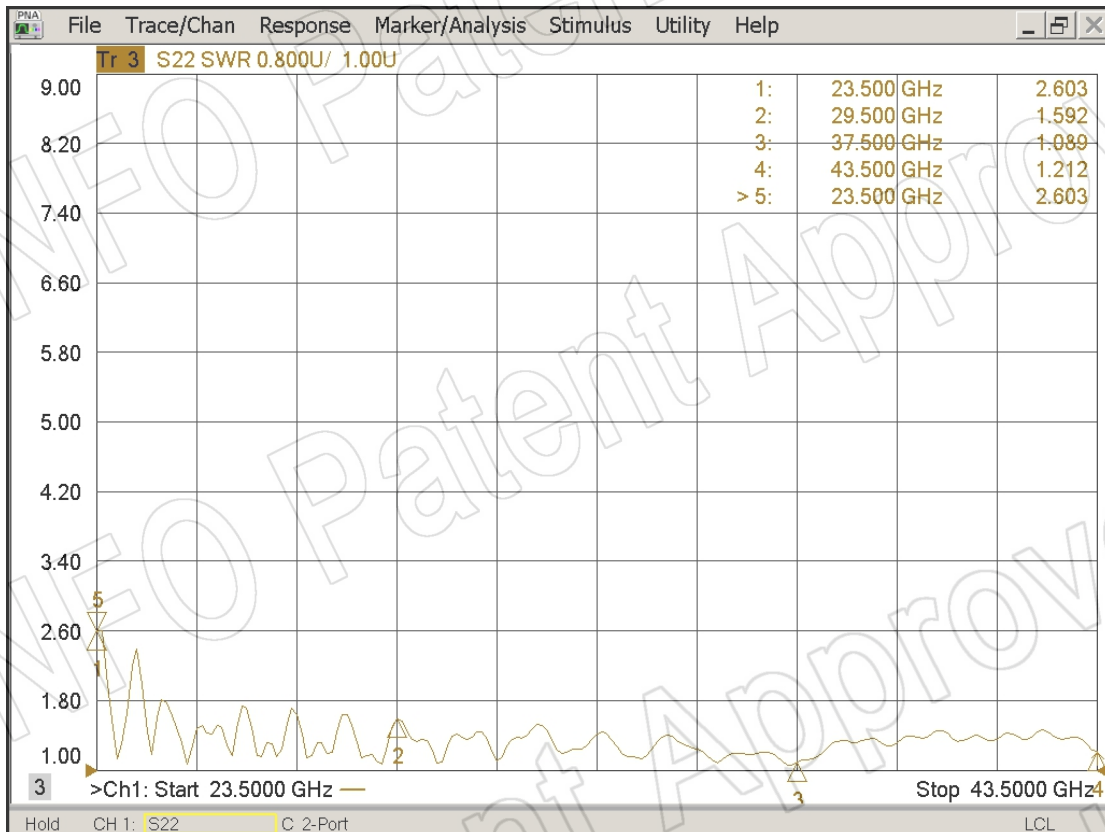


VSWR_C Type

Port-H



Port-V



5. Pattern

